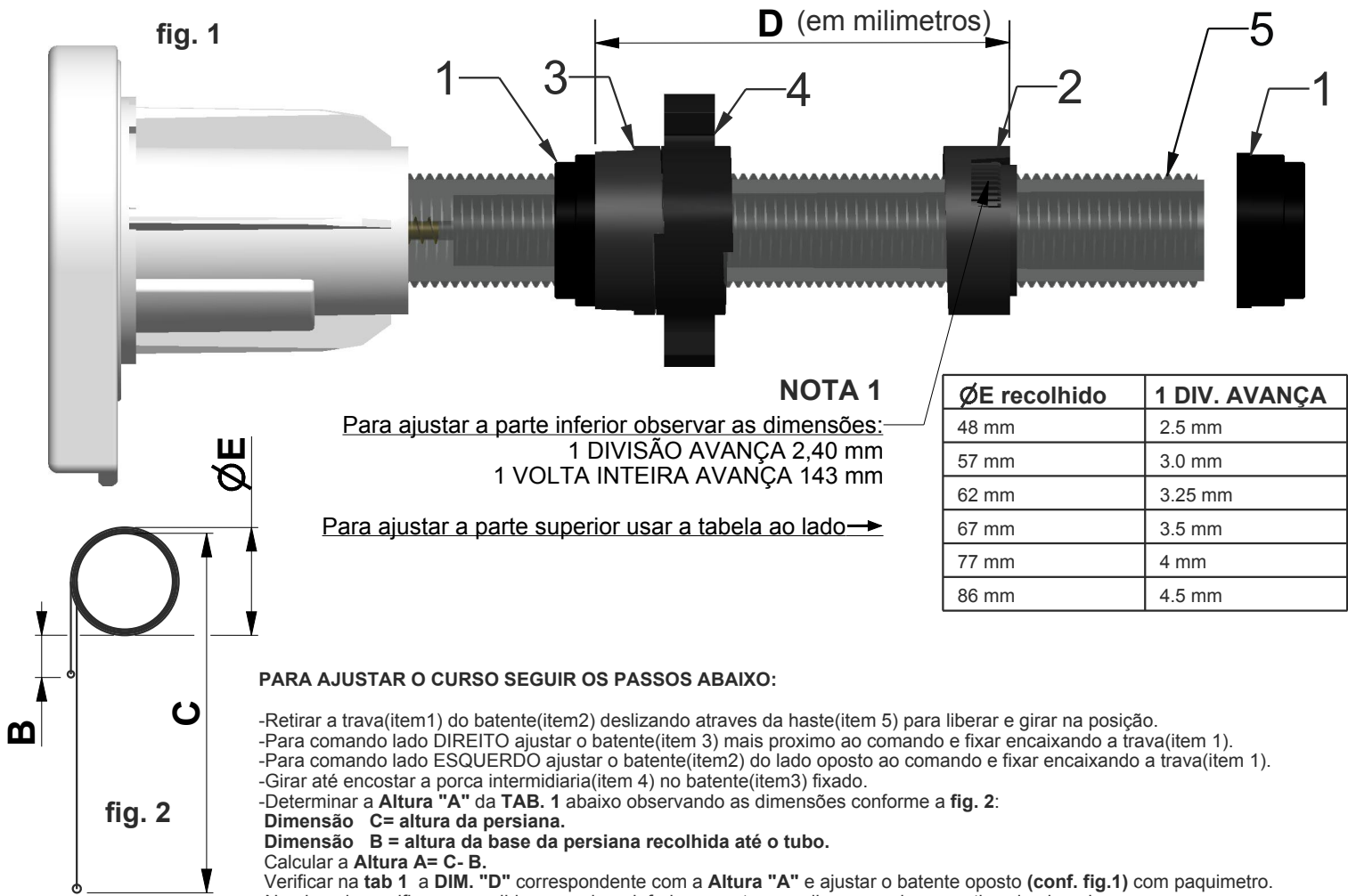


LIMITADOR PARA TUBO Ø41 (TUBO ALPEX 1740)



TAB. 1

Altura "A" metro	DIM. "D"(screen)	Altura "A" metro	DIM. "D"(screen)	Altura "A" metro	DIM. "D"	Altura "A" metro	DIM. "D"
1.00 metro	36.90	3.60	56.75				
1.10	37.75	3.70	57.45				
1.20	38.60	3.80	58.15				
1.30	39.45	3.90	58.85				
1.40	40.30	4.00	59.55				
1.50	41.10	4.10	60.20				
1.60	41.95	4.20	60.80				
1.70	42.80	4.30	61.45				
1.80	43.60	4.40	62.10				
1.90	44.30	4.50	62.80				
2.00	45.05	4.60	63.50				
2.10	45.90	4.70	64.15				
2.20	46.75	4.80	64.80				
2.30	47.55	4.90	65.40				
2.40	48.30	5.00	65.90				
2.50	49.05	5.10	66.50				
2.60	49.80	5.20	67.15				
2.70	50.55	5.30	67.70				
2.80	51.30	5.40	68.25				
2.90	52.00	5.50	68.75				
3.00	52.70	5.60	69.30				
3.10	53.35	5.70	69.85				
3.20	54.00	5.80	70.40				
3.30	54.70	5.90	70.95				
3.40	55.45	6.00	71.50				
3.50	56.10						